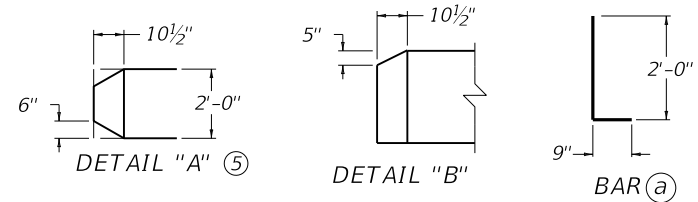
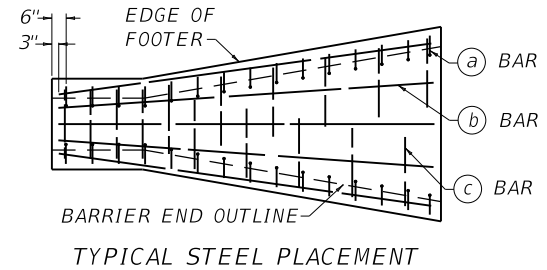
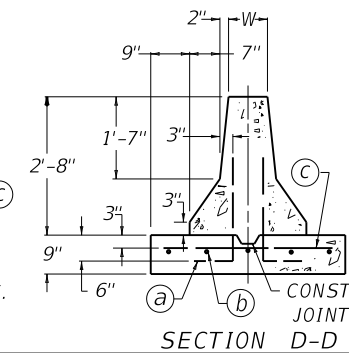
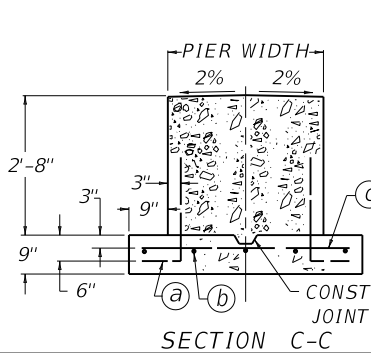
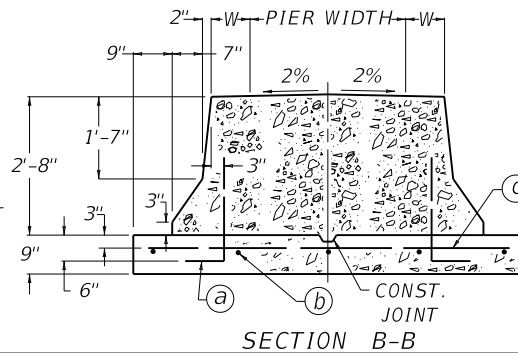
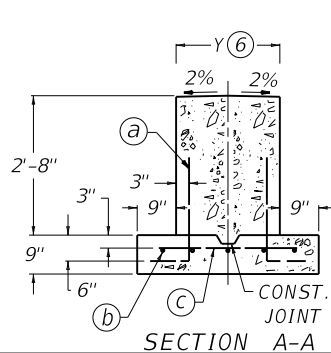


~ NOTES ~
SEE CURRENT STANDARD DRAWING NUMBER RBE-065N
FOR ALL NOTES AND APPLICABLE MAINTENANCE NOTES.



CONDITION NO.	NO. 5 STEEL REINFORCEMENT BARS						CUBIC YARD ④ CLASS "A" CONC.		
	W	BAR (a) QTY. LGTH.	BAR (b) QTY. LGTH.	BAR (c) QTY. LGTH.	LBS.	Y=2'-0"	Y=1'-6"		
1	6"	52		25'-6"	26	354	11.56	10.19	
2	-	24		11'-6"	12	163	4.07	3.58	
3	-	40	2'-9"	5	19'-6"	20	272	7.70	6.96
4	9"	24			11'-6"	12	163	3.38	2.89
	12"							3.51	3.03



USE WITH CUR. STD. DWG.
RBE-060 RBC-100

KENTUCKY
DEPARTMENT OF HIGHWAYS

CONCRETE MEDIAN
BARRIER END

STANDARD DRAWING NO. RBE-065-08

SUBMITTED *[Signature]* 12-01-15
DATE
APPROVED *[Signature]* 12-01-15
DATE
STATE HIGHWAY ENGINEER